

# Miele

## PROFESSIONAL



## Operating manual Washer PW 6065 Plus

To prevent accidents  
and machine damage  
read these instructions

**before**  
installation or use.




M.-Nr. 06 523 700



<b>IMPORTANT SAFETY INSTRUCTIONS</b> . . . . .	5
<b>Guide to the washer</b> . . . . .	8
Control panel . . . . .	8
<b>Before using for the first time</b> . . . . .	11
<b>Using the washer</b> . . . . .	12
<b>To change a program</b> . . . . .	16
To cancel a program . . . . .	16
To change a program. . . . .	16
Adding/removing laundry during a wash program . . . . .	16
<b>Program guide</b> . . . . .	17
<b>Program sequence</b> . . . . .	22
<b>Spin</b> . . . . .	24
Spin speed. . . . .	24
<b>Options</b> . . . . .	25
<b>Delay Start</b> . . . . .	27
<b>Favorites</b> . . . . .	28
<b>Detergent</b> . . . . .	31
<b>Cleaning and Care</b> . . . . .	33
Cleaning the washer . . . . .	33
Cleaning the inlet hose filter . . . . .	34
<b>Frequently asked questions</b> . . . . .	35
A wash program cannot be started . . . . .	35
General problems with the washer . . . . .	36
Opening the door during a power failure or when the drain is blocked . . . . .	39
Changing the light bulb . . . . .	42
<b>After sales service</b> . . . . .	43

# Contents

---

<b>Installation instructions</b> . . . . .	45
<b>Installation</b> . . . . .	46
Installation on a base . . . . .	48
Installation site . . . . .	49
Removing the shipping struts . . . . .	49
Installing the shipping struts . . . . .	51
Leveling the washer . . . . .	52
Water connection . . . . .	53
Drainage . . . . .	55
Electrical connection . . . . .	56
<b>Technical Data</b> . . . . .	57
<b>Help to protect the environment</b> . . . . .	58
<b>Settings</b>  . . . . .	60
<b>Settings - Supervisor level</b> . . . . .	64

# IMPORTANT SAFETY INSTRUCTIONS

---

Read the operating instructions before using this machine for the first time. They contain important information about the safety, use and maintenance of the machine. Doing so will prevent injury and damage to the dryer.

Save these instructions and pass them on to any future user.

## **WARNING - To reduce the risk of fire, electric shock or injury:**

### **Technical Safety**

■ Check the packaging, the washer and accessories for any signs of damage. Do not use a damaged appliance.

■ Before connecting the machine, ensure that the connection data on the data plate (circuit protection, voltage and frequency) match the mains electrical supply. If in doubt contact an electrician.

■ The appliance must be grounded. It is imperative that this basic safety requirement be met.

■ Do not connect the appliance to the mains electrical supply with an extension cord. Extension cords do not guarantee the required safety of the appliance (e.g. danger of overheating).

■ The machine is built in accordance with current safety requirements. Incorrectly repaired machines may pose a considerable risk to the user which is not covered by the manufacturer. Repairs should only be performed by a Miele approved technician.

■ Ensure power is not supplied to the appliance while maintenance or repair work is being performed. The machine is only completely isolated from the electrical supply when it is turned off at the main switch and the plug is pulled or by tripping the circuit breaker.

■ Connect the washer, to the water mains. Do not use old hoses. Inspect the intake hoses regularly for damage. They should be replaced as needed to prevent water damage.

■ Faulty components must only be replaced with genuine Miele spare parts to maintain safety standards.

■ If the power cord is damaged it must only be replaced by a Miele Service technician with a genuine Miele power cord.

# IMPORTANT SAFETY INSTRUCTIONS

---

## Use

Only use the washing machine to wash items which are specified by the manufacturer to be machine washable on the fabric care label. Any other applications may cause undesirable results. The manufacturer cannot be held responsible for damage caused by improper use of the appliance.

This appliance is not designed for maritime use or for use in mobile installations such as recreational vehicles or aircraft. However, under certain conditions it may be possible for installation in these applications. Please contact the Miele Technical Service Department with specific requirements.

Do not install this machine in rooms where temperatures below freezing may occur. Frozen hoses may burst under pressure. The reliability of the electronic control unit may be impaired at temperatures below freezing.

Do not wash articles that have been previously cleaned, washed soaked or spotted with gasoline, organic substances dry-cleaning solvents, or any other flammable substances. These articles give off vapors that could ignite or explode. Do not add these items to the washload.

Before using the machine for the first time, check that the shipping struts at the rear of the machine have been removed (see "Installation"). If the shipping struts are still in place during spinning, damage may result to both the machine and adjacent furniture or appliances.

Turn off the water supply if the machine is to be left for any length of time (e.g. vacation).

**Overflow hazard!**  
Check that the drain can accommodate the water flow before operating the washer. Make certain the drain hose is secured in the drain, otherwise the force of the expelled water could cause the drain hose to come out of the drain.

Be sure that foreign objects (e.g. nails, pins, coins, paper clips) do not find their way into the machine. These items may damage the machine, which may also cause damage to the laundry.

# IMPORTANT SAFETY INSTRUCTIONS

---

■ If the correct amount of detergent is dispensed, the machine should not need to be descaled. If the washer needs to be descaled, use a descaling agent with corrosion protection. These special descaling agents can be purchased from the Miele Service department. Use as directed.

■ Never use solvent based cleaning agents in this machine, this may result in damage and create toxic fumes. They will present a fire and explosion hazard.

■ Items which have been pre-treated in solvent based cleaning agents must be thoroughly rinsed in clean water before being washed in the machine.

■ Only use dyes specified by the manufacturer as being suitable for use in a washing machine. Use as directed by the manufacturer.

■ Dye removers may contain sulphur compounds which cause damage such as corrosion. Do not use dye removers in this machine.

■ The drum door glass will be hot when washing at very high temperatures. Do not touch the glass. Danger of burns!

■ The stainless steel casing must not come in contact with liquid cleaning or disinfection agents containing chlorine. They may cause corrosion. Do not store open containers of this agent next to the machine.

## Children

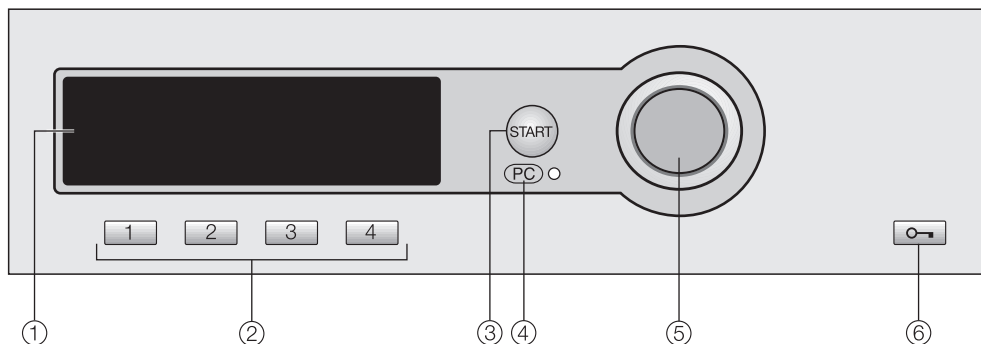
■ Close supervision is necessary when the appliance is used near children. Do not allow children to play on or in the appliance.

## Using accessories

■ Accessories must only be installed once approved by Miele. Installing unapproved parts may void the warranty and product liability.

# Guide to the washer

## Control panel



① **Display\***

See the following pages for more information

② **Direct select buttons**

To select a wash program directly. You can also save a "Favorite" wash program on these buttons.

③ **"Start"** button

④ **Optical interface PC**

Allows a service technician to check and update the wash programs

⑤ **Jog shuttle**

**Turn** to select menus  
**Press** to confirm the selection

⑥ **Door** button to open the drum door.


\* Contents in the display will vary with program offering.



## Display function

Display contents will vary with program offering.

### Main menu

1	Cottons Uni.	60°C	Program selection
2	Wrinkle-free	40°C	Settings ▸
3	Delicates	40°C	
4	Woollens 	30°C	12:00

The display shows the main menu (with factory default settings). "Program selection" is highlighted.

If the display is dark (in Stand-by mode) turn the jog shuttle.

### Jog shuttle

**Turn** the jog shuttle to select a program or setting.

**Press** the jog shuttle to confirm the selection.

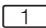
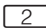
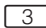
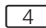
### Direct select buttons

The first four programs shown in the display on the left are the "Favorites". They can be selected with the direct select buttons.

The Favorites can be individually set to your desire. See "Favorites" for more information.

The direct select buttons have different functions in the other menus. In these menus an arrow ▼ is displayed above the respective button with the function description of the button.

### Program selection possibility

- **Possibility 1** Select and confirm the menu "Program selection" in the display with the jog shuttle.
- **Possibility 2** Press one of the direct select buttons     and access directly the basic menu of the program.

# Guide to the washer

---

## Menu Program selection



All pre-set programs can be selected with the jog shuttle. Depending on the direction the jog shuttle is turned the highlighter moves up or down.

The arrows ▼▲ at the right side of the display show that more selections are available.

- Press the jog shuttle to open the basic menu of the selected program.

## Basic menu of a wash program



The program components (program, temperature and spin speed) can be selected by turning the jog shuttle. The selected component is highlighted. Press the jog shuttle to select the component. The respective submenu is displayed.

The submenu "Extras" and "Delay Start" can be selected by the direct select buttons.

- To go back to the main menu, press 4 "back".

All components can also be selected and confirmed with the jog shuttle only.

## Settings

The "Settings" menu allows you to adjust the washer to individual needs. See "Settings" for more information.

# Before using for the first time

---

The appliance must be correctly installed and connected before the first use. Please see the "Installation instructions."

For safety reasons, it is not possible to run a spin cycle before the first use. A program must be run **without laundry and detergent** to flush out any residual water from the factory testing process.

- Open the water mains.

## Welcome screen

The Welcome screen shows when the washer is turned on for the first time.



The image shows a dark grey rectangular screen with the Miele logo in white. Below the logo, the word "PROFESSIONAL" is written in a smaller, white, sans-serif font. At the bottom of the screen, the word "Welcome!" is displayed in a white, serif font.

The welcome screen will not show anymore, when the total wash time of the washer exceeds one hour.

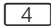
The display then shows the language selection.

## Language

- Select the desired language and confirm with "OK".

## Shipping struts

The display reminds the user to remove the shipping struts.

- If the shipping struts were already removed, confirm with the  button. Otherwise remove them at this time then confirm.

## Set the time of day

- Set the hour by turning the jog shuttle and press to confirm.
- Repeat to set the minutes and confirm. Press again to save the time of day.

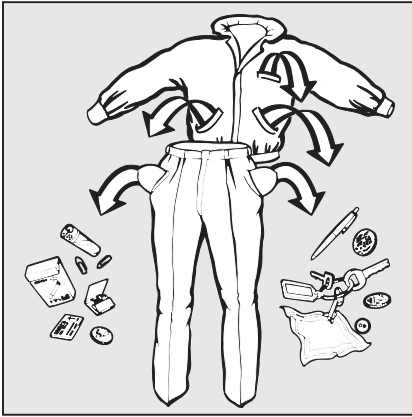
## Basic menu "Cottons Uni." shows

- Press the flashing button "Start". The drum door must be closed.

Once the program ends the washer can be used for laundry.

# Using the washer

## 1. Sort the laundry



- Empty all pockets.

⚠ Foreign objects left in pockets (e.g. nails, coins, paper clips, etc.) can cause damage to clothes and the machine.

- Pre-treat stains.

Tough stains (blood, egg, coffee, tea etc.) or badly soiled areas (collars and cuffs) should be penetrated with a stain remover or a paste made from powder detergent and warm water. Dab stains with a damp light colored cloth. Do not rub!

⚠ Do not use chemical solvents in the machine.


- Sort the laundry.

## General tips

- Dark fabrics often bleed the first few times they are washed. They should be washed separately several times before being included in a mixed load.
- Remove any lead weights or strips from curtains before washing.
- Loose underwires should be removed or sewn in place before washing.
- Woolens and knitted garments should be turned inside out.
- Close zippers and hooks and eyes before washing.
- Comforter covers and pillowcases should be fastened in order to prevent small items from getting trapped inside of them.

Do **not** machine wash items if it is not recommended on the fabric care label.

## 2. Load the washer

- Open the drum door using the  button.

The drum light comes on.

- Load the laundry loosely into the drum.

For best results, wash mixed loads of small and large items. This will improve washing effectiveness and help distribute the load evenly.

For the lowest energy and water consumption load the washer to its max. capacity. See "Program guide".

**Note:** Overloading the washer will affect wash results and cause wrinkling.

- Close the drum door.

Close the drum door. To prevent damage to the door seal and clothing, make sure that there are no clothes caught between the drum door and the seal.

## 3. Select a program

Two program selection possibilities:

- Select a "Favorite" by pressing the respective direct select button.
- Select from the "Program selection" menu by turning the jog shuttle.

- If desired select "Extras" and/or a delay start time with the respective submenus.

### Coin mechanism

If a coin mechanism operates the machine, please regard the displayed request to pay.

If the door is opened after a program has started or if the program is canceled the credit is lost.

# Using the washer

## 4. Adding detergent

Use detergent according to the laundry soiling and water hardness.

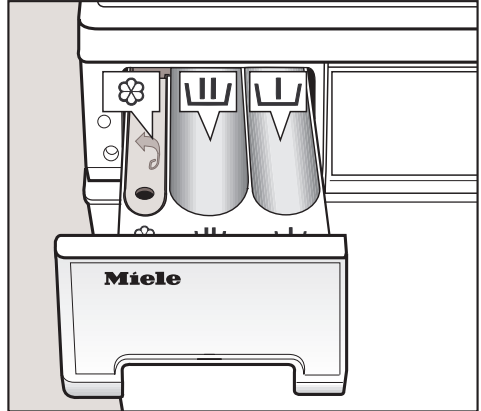
### Too little detergent may cause:

- ineffective cleaning of laundry; fabrics may become gray and stiff over time.
- grease stains on the laundry.
- hard water deposits on the heating element.


### Too much detergent may cause:


- oversudsing with minimal drum movement; poor wash, rinse and spin results.
- higher environmental burden.

See "Detergent" for more information.



- Pull out the detergent dispenser drawer and add detergent.

 = Detergent for the main wash

 = Only add detergent ( $\frac{1}{4}$  of the total recommended amount of detergent) to this compartment for the pre-wash.

 = Fabric softener or liquid starch.

- Close the detergent dispenser drawer.

## 5. Starting a program

"Start" flashes when a program can be started.

- Press the "Start" button.

The "Start" button lights.

The display shows the approximate program run time. It will count down in minutes. The first 10 minutes the washer calculates the water absorbency of the laundry. The overall program time may be shortened or lengthened.

Additionally the sequence cycle is displayed. The washer shows the current program step.

The drum light turns off after the program starts.

Press one of the following direct select buttons during the running program:

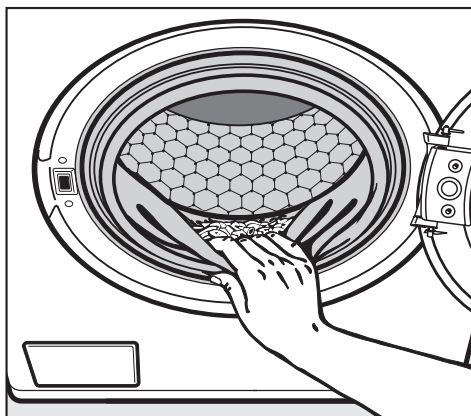
- Button **[1]** "Extras"  
the displayed Extras can be selected or deselected after the program start.
- Button **[2]** "Delay Start"  
the time of day and the approximate program end is displayed.
- Button **[4]** "Cancellation"  
to cancel the currently running program. The wash water will be drained away.

## 6. At the end of a program

The anti-crease program starts when the laundry is not immediately removed from the washer after the program end. "Anti-crease" and "End" will flash alternately in the display.

- Use the **↔** "Door" button to open the drum door.
- Remove the laundry.

Check the drum for any missed pieces of laundry. Items inadvertently left in the washer may get damaged (e.g. shrink or discolor) during the next wash cycle.



- Check the folds of the door seal for any small articles which may have been trapped.
- Close the drum door. Otherwise foreign objects may find their way into the drum. These could be inadvertently washed and cause damage to laundry.

# To change a program

---

## To cancel a program

A program can be canceled any time after a program start.

- Press the button  "Cancellation".

The wash water will be drained away.

- Open the drum door before starting a new program.

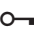
## To change a program

After the program start the spin speed can be selected until the final spin starts. The Extras "Starch Stop" and "Rinse Stop" can be selected or deselected.

The temperature and the Extra "Intensive" can be selected or deselected up to 5 minutes after the program start.

## Adding/removing laundry during a wash program

You can interrupt the programs (see "Program guide") to add or remove a piece of laundry.

- Use the  button to open the door.
- Add or remove the piece of laundry.
- Close the drum door.

The program will continue automatically.

## Note:

Once the program has started the washer cannot make adjustments of the load size. After adding or removing laundry, the washer will default to the water and electrical consumption of a full load.

The time remaining will automatically be adjusted.

## The drum door cannot be opened if:




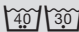

- the water temperature is higher than 131°F/55°C.
- the water level is too high.
- the program has reached the "Final Spin".

When operated with a coin mechanism the machine will be locked after 3 minutes. Canceling or changing a program and opening the door is no longer possible.




## Program guide

Programs may vary depending on the offerings of your machine.

<b>Cottons Hygiene 203°F to 158°F (95°C to 70°C)</b>		
Items	Items made from cotton and linen, i.e. bed linen, baby clothing, underwear	
Detergent	Universal detergent	
Load size	14.3 lbs (6.5 kg)	
<b>Cottons Uni. 140°F to cold (60°C to cold)</b>		
Items	Items made from cotton or mixed fabric, i.e. T-Shirts, pants	
Tip	Wash dark colored fabrics with detergent for colors or a liquid detergent.	
Detergent	Universal or color detergent	
Load size	14.3 lbs (6.5 kg)	
<b>Minimum iron 140°F to 86°F (60°C to 30°C)</b>		
Items	Items made from synthetic fibers, mixed fabric or wrinkle free cottons, i.e. shirts	
Detergent	Universal or color detergent	
Load size	7.7 lbs (3.5 kg)	
<b>Delicates 140°F to 86°F (60°C to 30°C)</b>		
Items	Delicates made from synthetic, mixed fabric or viscose silk	
Detergent	Detergent for delicates	
Load size	5.5 lbs (2.5 kg)	
<b>Quick wash 104°F to cold (40°C to cold)</b>		
Items	Small load of lightly soiled items, which can be washed in "Cottons Uni."	
Detergent	Universal or color detergent	
Load size	7.7 lbs (3.5 kg)	

# Program guide

<b>Woolens 104°F to cold (40°C to cold)</b>	
Items	Items made from machine washable wool and wool blend fabrics.
Detergent	Detergent for wool
Load size	5.5 lbs (2.5 kg)
<b>Silk  86°F to cold (30°C to cold)</b>	
Items	Hand washable items, that contain no wool.
Tip	Wash hosiery and lingerie in a lingerie bag.
Detergent	Detergent for delicates
Load size	5.5 lbs (2.5 kg)
<b>Shirts 140°F to cold (60°C to cold)</b>	
Items	Shirts and dress shirts.
Tip	<ul style="list-style-type: none"><li>– Pre-treat collars and cuffs depending on soiling</li><li>– Wash silk shirts in the "Silk" program.</li></ul>
Detergent	Universal or color detergent
Load size	5.5 lbs (2.5 kg)
<b>Denim 104°F to cold (40°C to cold)</b>	
Tip	<ul style="list-style-type: none"><li>– Before washing denim items turn them inside out.</li><li>– Denim items bleed at the first few washes. Wash dark and light colored items separately.</li></ul>
Detergent	Liquid color detergent
Load size	7.7 lbs (3.5 kg)
<b>Towelling 203°F to 140°F (95°C to 60°C)</b>	
Tip	Use color detergent for dark colored laundry
Detergent	Universal detergent
Load size	12.1 lbs (5.5 kg)
<b>Drain</b>	
To drain the water from the drum	
<b>Spin</b>	
Please select an appropriate spin speed	

## Additional programs

The following programs can be added from the "Settings - Supervisor level" when activated by Technical Service.

### **Kitchen linen 203°F to 140°F (95°C to 60°C)**

Items	Kitchen linen made from cottons and linen, i.e. chef jackets and pants, towels, rags
Tip	Use the "Pre-wash" program for tough stains. Use a pre-wash detergent with enzymes.
Detergent	Universal detergent
Load size	7.7 lbs (3.5 kg)

### **Table linen 140°F to 86°F (60°C to 30°C)**

Items	Table cloths and napkins made of cottons, linen or mixed fabrics.
Tip	Use the "Pre-wash" program for tough stains. Use a pre-wash detergent with enzymes.
Detergent	Universal detergent
Load size	14.3 lbs (6.5 kg)


### **Curtains 104°F to cold (40°C to cold)**


Items	Curtains which are machine washable according to the manufacturer. To rinse dust, a pre-wash without detergent is automatically added to the program.
Tip	Curtains that wrinkle easily should be washed at a reduced spin speed or without a spin .
Detergent	Curtain, universal and color detergent in powder form.
Load size	6.6 lbs (3.0 kg)

### **Pillows 203°F to 104°F (95°C to 40°C)**

Items	Washable pillows with a filling of feathers, down or synthetics.
Tip	Regard the fabric care label!
Detergent	Liquid detergent
Load size	1 queen and 2 twin size pillows

# Program guide

<b>Outerwear 104°F to cold (40°C to cold)</b>	
Items	Outdoor clothing made from micro fibers.
Tip	<ul style="list-style-type: none"> <li>– Close all zippers.</li> <li>– Do not use fabric softener</li> </ul>
Detergent	Detergent for delicates
Load size	7.7 lbs (3.5 kg)
<b>Proofing 104°F to 86°F (40°C to 30°C)</b>	
Items	To treat micro fiber, ski clothing, fine dense cotton (poplin) or table cloths to make them water repellent and soil resistant.
Tip	<ul style="list-style-type: none"> <li>– The item should be washed and rinsed or dried.</li> <li>– To get an optimum result dry the items in a clothes dryer or iron them.</li> </ul>
Water repellent	<ul style="list-style-type: none"> <li>– Only use water repellent that states it is "Suitable for membrane textiles". They are based on fluorochemicals. <b>Do not use</b> agents containing paraffin.</li> <li>– Place the liquid detergent insert in compartment  and fill with water repellent.</li> </ul>
Load size	7.7 lbs (3.5 kg)

<b>Disinfection programs</b>	
Items	Bed linen made of cottons or mixed fabrics.
Note	For different requirements with a temperature selection of 85°C (thermal) to 40°C (chemothermal) with the respective holding times.
Detergent	Use a detergent for disinfection and chemothermal disinfection. Regard the temperature level recommended on the packaging.
Load size	14.3 lbs (6.5 kg)
<b>Hygiene</b>	
If a temperature lower than 55°C was selected for the last wash program or if the program "Spin" was selected, "Hygiene" is displayed.	
<p>When selecting a Hygiene program</p> <ul style="list-style-type: none"> <li>– do not put any laundry into the drum, add a small amount of detergent in compartment  and start the program,</li> </ul> <p><b>or</b></p> <ul style="list-style-type: none"> <li>– select a wash program with a temperature of 60°C or higher.</li> </ul> <p>If the "Hygiene" display is disregarded, each program will run accordingly.</p>	
<b>Sluice 167°F (75°C) or Sluice 149°F (65°C)</b>	
Items	Heavily soiled items of cottons, linen or mixed fabrics.
Note	To remove heavy soiling the laundry will be pre-rinsed twice.
Detergent	Universal detergent
Load size	14.3 lbs (6.5 kg)

# Program sequence

\*Programs may vary depending on the offerings of your machine.

	Main wash		Rinse		Spin	
	Water level	Wash rhythm	Water level	Rinses	Rins spin	Final spin
Cottons Hygiene		Ⓐ		2	✓	✓
Cottons Uni.		Ⓐ		2	✓	✓
Minimum iron		Ⓐ		2	✓	✓
Delicates		Ⓑ		2	–	✓
Sturdy		Ⓐ		2	✓	✓
Woollens		Ⓒ		2	✓	✓
Silk		Ⓓ		2	–	✓
Dress Shirts		Ⓐ		2	–	✓
Denim		Ⓐ		3	–	✓
Disinfection*		Ⓐ		3	✓	✓
Kitchen linen*		Ⓐ		2	✓	✓
Table linen*		Ⓐ		2	✓	✓
Curtains 2)*		Ⓐ		3	–	✓
Pillows 1)*		Ⓐ		3	–	✓
Outerwear*		Ⓑ		3	✓ <sup>3)</sup>	✓
Proofing*	–	–		1	✓	✓
Towelling		Ⓐ		2	✓	✓
Sluice <sup>4)</sup> *		Ⓐ		3	✓	✓
Spin	–	–	–	–	–	✓

 = low water level

 = middle water level

 = high water level

Ⓐ = normal wash rhythm

Ⓑ = Gentle wash cycle

Ⓒ = Woollens

Ⓓ = Silk

For program sequence explanations, see the following page.

\* = Programs may be added from the "Settings - Supervisor level" when activated by Technical Service.

The washer is equipped with an electronic control which determines the load size automatically. The washer determines the required water consumption for each load depending on quantity and water absorbency of the laundry. Different program sequences and wash times will result.

The program sequence shown here represents the basic program with a maximum load. Possible "Extras" are not considered.


The washer's sequence display will indicate the current cycle of the selected wash programs.

## Special features in the program sequence:

### Anti-crease

The drum continues to turn up to 30 minutes after the program ends to prevent creases. The washer can be opened at any time. Exception: The program "Woollens" has no anti-crease feature.

#### 1) High Spin

Before the wash program starts, a high spin is carried out to remove air from the pillows. After the spin the water is taken in by the compartment  for the main wash.

#### 2) Pre-rinse

To rinse dust, a pre-wash without detergent is automatically added to the program.

#### 3) Outerwear

The items will be spun only after the main wash.

#### 4) Pre-rinse

To remove heavy soiling the laundry will be pre-rinsed twice.

# Spin

## Spin speed

Program	rpm
Cottons Hygiene	1400
Cottons Uni.	1400
Minimum iron	1000
Delicates	600
Sturdy	1200
Woollens	1200
Silk	400
Shirts	600
Denim	900
Disinfection programs*	1400
Kitchen linen*	1400
Table linen*	1200
Curtains*	400
Pillows*	1400
Outerwear*	900
Proofing*	800
Towelling	1400
Sluice*	1400
Spin	1400

\* = Programs can be added from the "Settings - Supervisor level" when activated by the Technical Service.

The final spin speed can be reduced. The speeds above are the highest available.

## Rinse spin

The laundry is spun after the main wash and between the rinse cycles. Reducing the final spin speed will also reduce the rinse spin speeds.

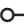

## Without final spin

■ Select "Rinse Stop" from the sub-menu "Extras". The laundry is not spun and remains soaking in water. This will prevent wrinkles if the laundry is not removed immediately at the end of the wash program.

– Selecting the final spin

The washer is set default to the maximum spin speed of the wash program. You can select a lower spin speed. Press "Start" to start the final spin.

– To finish the program

Press the  button. The water will be drained. Press the  door button to open the door.

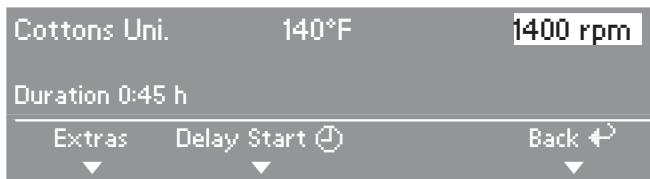
## Deselect rinse spin and final spin

■ Select "Without spin". The laundry is not spun after the final rinse but the water is drained away. After the drain cycle the washer goes immediately into the anti-crease cycle.



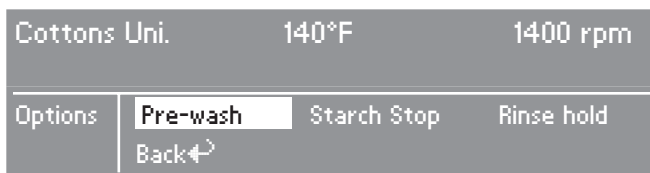
The basic wash programs can be enhanced with "Extras".

## Accessing the sub-menu "Extras"



- Press the direct select button **[1]**. The sub-menu "Extras" shows.

## Selecting Extras



- Select the desired Extras with the jog shuttle and confirm.
  - Repeat if another Extra is desired.
  - A selected Extra is marked with a tick.

## Pre-wash

For laundry with heavy soiling e.g. dust, sand.

## Starch Stop

The water is drained away in the last rinse and the program stops.

Add the starch directly to the laundry in the drum and then continue the program. See "Detergent - Separate starch" for more information.

# Options

---

## Rinse Stop

The washer stops after the last rinse, the laundry remains soaking in water. This will prevent wrinkles if the laundry is not removed immediately at the end of the wash program.

## Intensive\*

For laundry with normal to heavy soiling or stains.

The total time for the wash program will be extended.

## Water plus\*

The washer comes factory set with the Extra selection "Water plus" activated. The water level during washing and rinsing is increased.

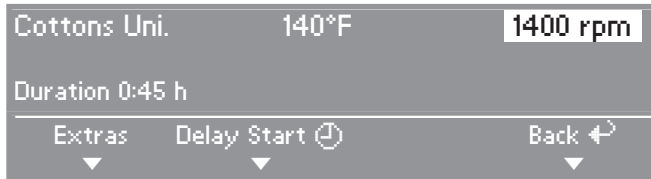
Other settings for "Water plus" can be selected. See "Settings" for more information.

\* "Intensive" and "Water plus" can be added from the "Settings - Supervisor level" menu, when the access is activated by Technical Service.

Extras which can be selected are shown in the sub-menu "Extras". If an Extra is not shown, it is not available for the selected program.

The delay start option allows you to select the program end time. The program start can be delayed from 30 minutes to 24 hours.

## Select the sub-menu Delay Start



- Press the direct select button [2]. The "Delay Start" menu shows.

## Select the Delay Start time

The program end can be selected in 30 minute steps.



- Select the desired program end time with the jog shuttle and confirm. The program end time is adjusted to the next full or half hour. The program start will be delayed according to the desired program end time.

## Starting the Delay Start

- Press the "Start" button.

The elapsed delay start time is displayed and will count down in minutes.

## Canceling the Delay Start

- The Delay Start can be canceled with the direct select button [4].

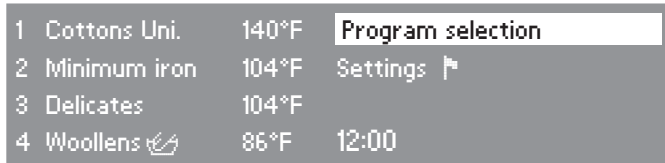
After the program start the actual load size is measured. This can result in an earlier program end.

# Favorites

The washer has the option to save the most used wash programs on the direct select buttons. The option "Save" must be selected in the "Settings - Supervisor level". Contact Technical Service for access to this level.

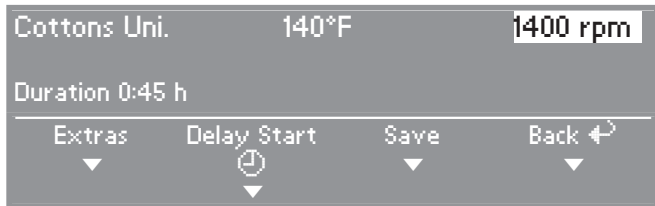
## Selecting/Changing a Favorite

### Main menu



- Press the direct select button [1].

### Basic menu



- Turn the jog shuttle to select the component you want to adjust: program, temperature or spin speed.
- Press the jog shuttle to confirm the selection.

### Depending on the selection the display shows one of the following submenus.

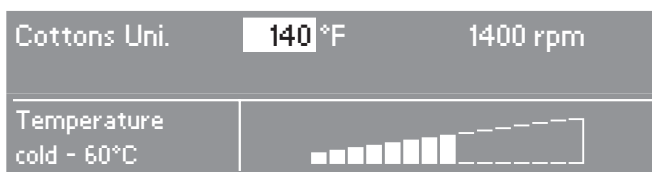
Important: If no selection is made in the sub-menu, the display will switch back to the basic menu after 20 seconds.

### – Select a program



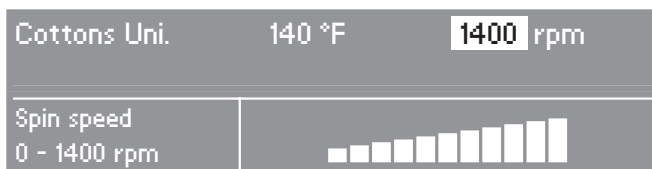
- Select the desired program with the jog shuttle and confirm. The basic menu shows again.

## – Selecting a temperature



- Select the desired temperature with the jog shuttle and confirm. The basic menu shows again.

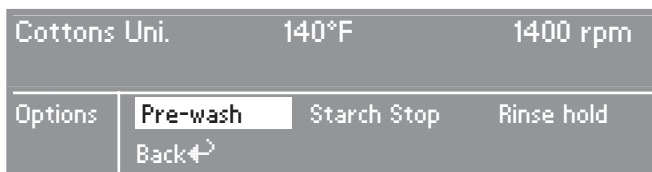
## – Selecting the spin speed



- Select the desired spin speed with the jog shuttle and confirm. The basic menu shows again.

## Selecting Extras

- Press the direct select button . The sub-menu "Extras" shows.



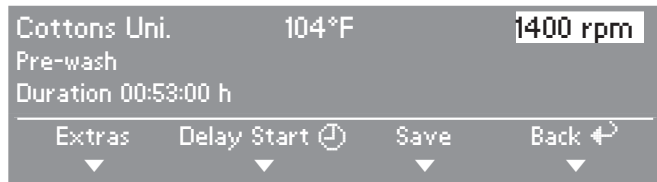
- Select the desired Extras with the jog shuttle and confirm. The basic menu shows again. Repeat if another Extra is desired. See "Extras" for more information.

# Favorites

---

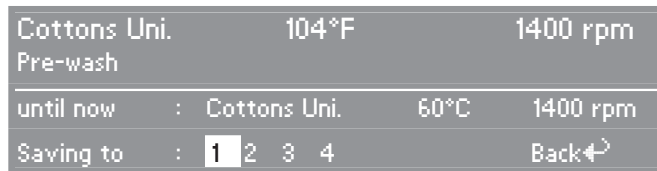
## Saving a Favorite

The basic menu shows all selected components.



- Press the direct select button [3].

## Assigning a direct select button



- Select the desired number for the favorite with the jog shuttle and confirm. The favorite is saved with the individual selections and shows in the main menu.

To assign more favorites, repeat the process with the remaining direct select buttons.

Only use laundry detergent formulated for front loading washing machines.

For wool and wool blend fabrics use a detergent formulated for wools.

Follow instructions on the detergent packaging for the correct use and amount of detergent.

## **The amount of detergent used depends on the level of soiling:**

### **Light soiling**

No soiling or stains are visible.

### **Normal soiling**

Some visible soiling or a few light stains.

### **Heavy soiling**

Very visible soiling or stains.

The size of the load and the water hardness level in your area have an impact on the amount of detergent necessary to obtain optimum wash results. If you do not know the water hardness level in your area, contact your local water authority.

## **Water hardness**

Hardness level	Water quality	Water hardness in gpg (also German hardness in °d)	Water hardness in mmol/l
I	soft	0 - 7	0 - 1.3
II	moderate	7 - 14	1.3 - 2.5
III	hard to very hard	over 14	over 2.5

## **Water softener**

If the water hardness level is between II and III, you can soften the water to reduce detergent consumption.

The detergent packaging should indicate the correct amount to use in your machine. Add the detergent, then add the water softener. From then on you can then use the recommended amount of detergent for water hardness level I.

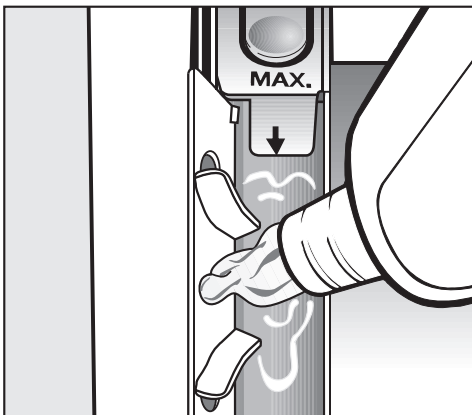
# Detergent

## Fabric softener, liquid starch

Fabric softener added to the wash program will make fabrics feel softer and will reduce static cling in the dryer.

Liquid starch is a synthetic starch wash used to give fabrics some stiffness. Starch can be included in any wash program as part of the final rinse.

### Automatic dispensing of fabric softener or liquid starch



- Add the fabric softener or liquid starch to compartment ☼. **Do not exceed the Max. level mark.**

The softener or liquid starch is automatically dispensed in the final rinse. At the end of the program a small amount of water remains in the fabric softener compartment ☼.

If you use starch frequently, clean the dispenser compartment and especially the siphon tube and conditioner channel. See "Cleaning the detergent drawer".

## Separate starch

- Dispense the amount of starch recommended on the packaging.
- Select the Extra "Starch" before starting a program.

The program and the remaining time will stop. The display shows "Starch".

- Dispense the starch directly in the drum.
- Select a spin speed and confirm or press the "Start" button.

## Dye removers / Fabric dyes


**Do not use dye removers in this washer.**


- When dyeing fabrics in the washer, adhere to the manufacturer's instructions.

## External dispensing

As an option the washer can be connected to an external detergent dosage system. A conversion kit is necessary which can be purchased from Miele.



 Before cleaning the appliance, disconnect the power supply by unplugging the unit or manually tripping the circuit breaker.

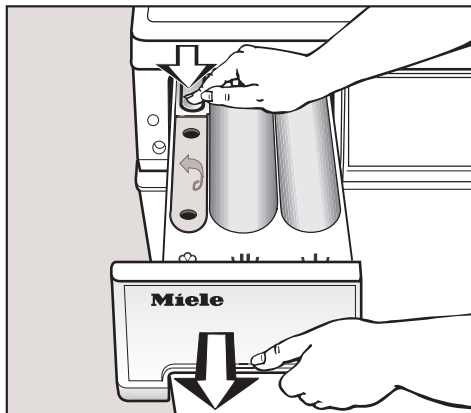
 Do not use chemical solvents, abrasive cleaners, glass or all purpose cleaners. These can damage plastic surfaces and other parts.

## Cleaning the washer

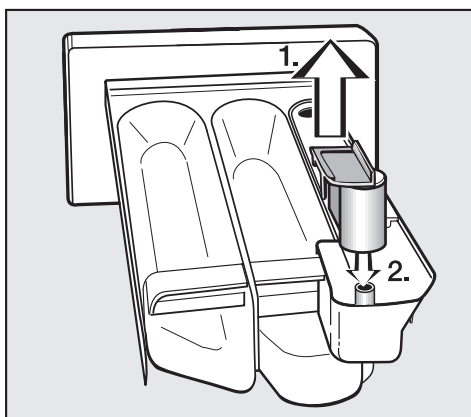
- Clean the exterior of the washer with a mild solution of non-abrasive detergent or soap and water. Wipe dry with a soft cloth.
- Clean the drum with a stainless steel cleaner specially formulated for use in a washing machine.


## Cleaning the detergent drawer

Detergent residue should be cleaned out regularly.



- Pull out the detergent drawer as far as it will go. Press the red release lever down and pull the drawer out of the machine.



- Clean the detergent drawer with warm water.
- Clean the siphon tube.
  1. Remove the siphon tube from the compartment  and rinse under warm water. Clean the pipe on which the siphon tube is attached.
  2. Replace the siphon tube.

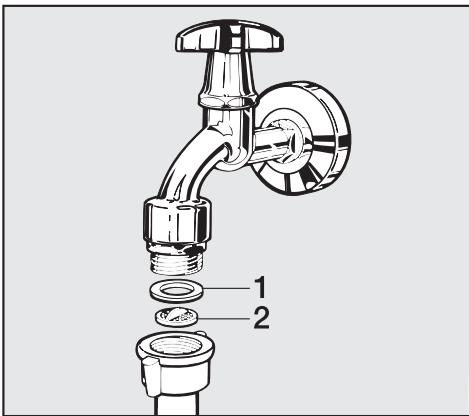
# Cleaning and Care

## Cleaning the inlet hose filter

The washer has two water inlet filters to protect each inlet valve. Check and clean these filters every 6 months. This may have to be done more frequently with some water supplies.

### Cleaning the inlet hose filters

- Turn off the water faucet.
- Unscrew the inlet hose from the valve by turning the connector counterclockwise using a wrench if necessary.

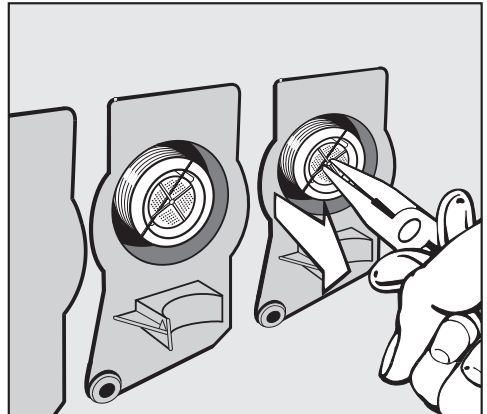


- Remove the rubber seal, **1**, from the connector.
- Using needle nose pliers, grasp the plastic filter, **2**, and pull it out of the hose connector.
- Clean the filter under running water and carefully remove any large particles.
- Replace the filter and seal and reconnect the hose.

Slowly turn on the faucet and check for leaks. If water leaks, tighten the hose connection.

### Cleaning the filter in the inlet valve


- Using pliers carefully loosen and remove the plastic hose connector from the inlet valve.



- Using needle nose pliers, remove the plastic filter by pulling on the bar (see illustration). Rinse under running water and return. Replace the filter and seal then reconnect the hose.

Both filters **must** be put back in place after cleaning.

## Frequently asked questions

 Repairs to electrical appliances must only be carried out by a qualified and trained person in accordance with local and national safety regulations. Repairs and other work by unqualified persons could be dangerous. The manufacturer cannot be held responsible for unauthorized work.

The following section will help you avoid placing a service call by identifying issues you may encounter while operating the machine:

<b>A wash program cannot be started</b>		
<b>Issue</b>	<b>Possible fault</b>	<b>Solution</b>
<b>The display remains off.</b>	The washer has no power.	Possible fault – the washer is not connected to the electrical supply, – the circuit breaker has tripped.
<b>Upon selecting the program "Spin" the program does not start.</b>	The instructions in "Before using for the first time" were not followed.	Follow the instructions as described in the "Before using for the first time" chapter.
<b>There is a fault message in the display.</b>	As long as an error message is displayed, a program cannot be started.	– Regard the display messages. – Confirm by pressing the jog shuttle.
<b>The display is dark and the "Start" light flashes slowly.</b>	The machine goes into "Standby". The display shuts off to save energy.	Press any direct select button. The Standby function will be ended.

## Frequently asked questions

General problems with the washer		
Issue	Possible cause	Solution
<b>The washer shakes during the spin cycle.</b>	<ul style="list-style-type: none"> <li>– The four feet are not resting evenly on the floor.</li> <li>– The floor is not properly reinforced.</li> </ul>	<ul style="list-style-type: none"> <li>– Level the machine (see Installation Instructions).</li> <li>– It is recommended that the machine is installed on a concrete base.</li> </ul>
<b>There are unusual sounds coming from the drain pump.</b>	There is no fault. Lapping sounds at the beginning and end of the pump process are normal.	
<b>Large residues of detergent remain in the dispenser drawer</b>	The water pressure is too low.	<ul style="list-style-type: none"> <li>– Check and clean the filters in the water inlet hoses.</li> <li>– Select the "Water plus" Extra if desired.</li> </ul>
	Water softening detergent additives tend to clump.	Clean the detergent drawer. In the future add the detergent first and then the water softener to the compartment.
<b>The fabric softener is not completely dispensed or too much water remains in the compartment ☼.</b>	The siphon tube is either incorrectly positioned or clogged.	Clean the siphon tube, see "Cleaning and care-Cleaning the detergent dispenser drawer".
<b>The display shows a foreign language.</b>	A different language was selected under "Settings-Language 🇩🇪".	Select the desired language. The flag symbol leads you to the setting.

## Frequently asked questions

<b>Poor wash results</b>		
<b>Issue</b>	<b>Possible cause</b>	<b>Solution</b>
<b>The laundry does not get clean with liquid detergent.</b>	Liquid detergents do not contain bleaching agents. Fruit, coffee and tea stains may not be removed.	<ul style="list-style-type: none"> <li>– Use powder bleach. (Be sure this is suitable according the fabric care labels of the laundry.)</li> <li>– Fill compartment <b>III</b> with powder bleach and use a dispenser ball for the liquid detergent.</li> <li>– Never put liquid detergent and bleach together in the same wash compartment.</li> </ul>
<b>Laundry has a gray sticky residue.</b>	<ul style="list-style-type: none"> <li>– Not enough detergent was used to dissolve greasy deposits in heavily soiled laundry.</li> <li>– The laundry was soiled with grease (oils, lotions).</li> </ul>	<ul style="list-style-type: none"> <li>– Add more detergent to laundry with grease stains or use a liquid detergent.</li> <li>– Run a 140°F program with liquid detergent to clean the washer before using it for laundry again.</li> </ul>
<b>There is white detergent residue on dark laundry.</b>	The powder detergent was not completely dissolved because of hard water. These residues are difficult to remove.	<ul style="list-style-type: none"> <li>– After drying, remove white residues with a clothes brush.</li> <li>– In the future, use liquid detergent.</li> </ul>
<b>Items with greasy soiling are not clean after a wash program.</b>	<ul style="list-style-type: none"> <li>– Add a Pre-wash to the program. Use liquid detergent for the pre-wash.</li> <li>– Use a powder detergent for the main wash. Use detergent which is specially formulated for heavily soiled work clothes. Contact the detergent manufacturer for more information.</li> </ul>	

## Frequently asked questions


---

### The door will not open when the "Door" button is pressed

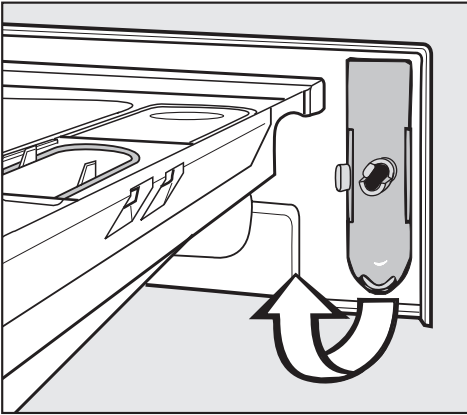
Issue	Solution
<b>The washer has no power.</b>	Insert the plug into the outlet and ensure the circuit breaker has not tripped.
<b>Power failure</b>	To open the drum door, see "Frequently asked questions - Opening the drum door during a power failure...".
<b>The door was not properly closed.</b>	Push the drum door on the locked side. Then press the "Door" button.
<b>There is still water in the drum and the washer cannot drain it away.</b>	Clean the drain filter and the drain pump as described in "Frequently asked questions - Opening the drum door during a power failure...".
As a safeguard against scalding, the drum door cannot be opened if the wash water temperature is over 131°F (55°C).	

## Frequently asked questions

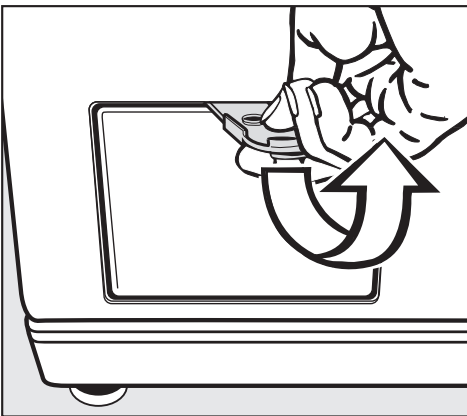
### Opening the door during a power failure or when the drain is blocked

 Disconnect the machine from the power supply.

- Open the detergent dispenser drawer.




- Remove the tool.



- Open the lint trap door.

### Machines with a drain pump

If the main drain hose is clogged, water will be retained in the machine (**max. 6.5 gal [30 l]**).

 **Caution:** If laundry has been washed at a high temperature, the water draining out of the machine will still be hot! Stop and allow it to cool before proceeding.

- Place a 2 quart capacity container under the drain tube.

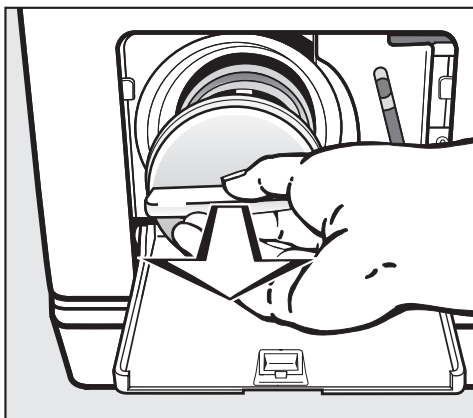


- Turn the lint trap lid counterclockwise. **Do not remove it.** About 2 quarts of water will drain out of the hose.

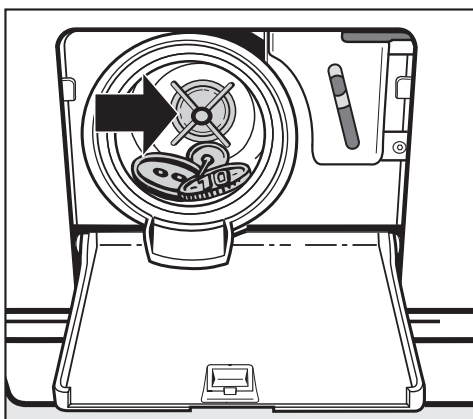
If additional water remains in the machine, tighten the lint trap lid and empty the container. Repeat as necessary.

## Frequently asked questions

Once the flow of water stops:




- Remove the lint trap lid.
- Remove any foreign objects or lint from the filter.

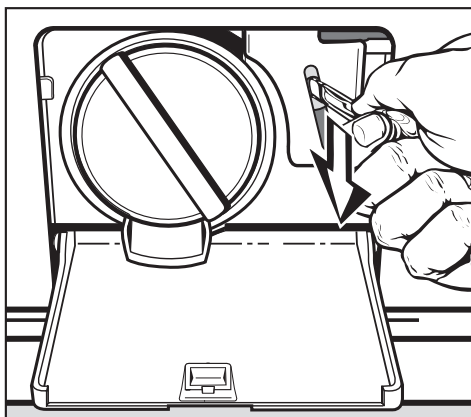


- Check that the impeller (in the back of the chamber) rotates freely by spinning it with your hand.
- Return the lint trap lid and tighten into place.

If the drain filter is not tightened securely water will leak out when the machine is used.

### Open the drum door

 Always make sure the drum is stationary before reaching into the drum to remove laundry. A moving drum is extremely dangerous.

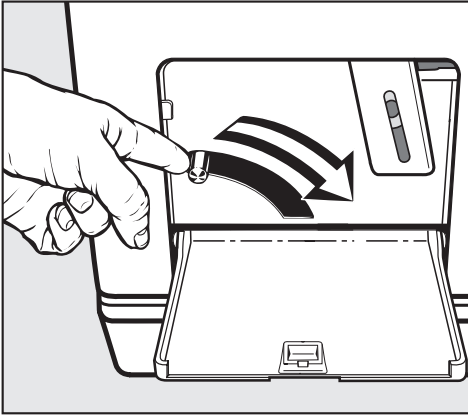


- Insert a screwdriver into the notch, beside the lint trap, pull it down. The door will now open.




## Frequently asked questions

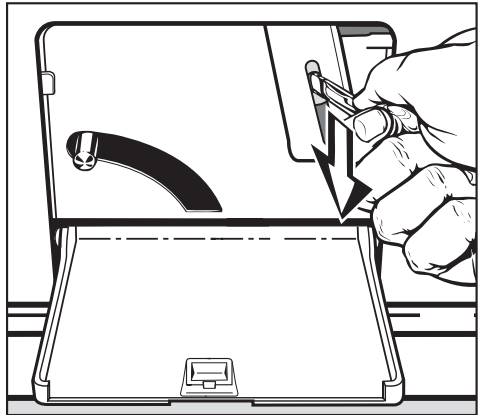
### Machines with a drain valve



- Press the lever for the emergency drain down and hold until you hear no more water running out.

### Open the drum door

 Always make sure the drum is stationary before reaching into the drum to remove laundry. A moving drum is extremely dangerous.



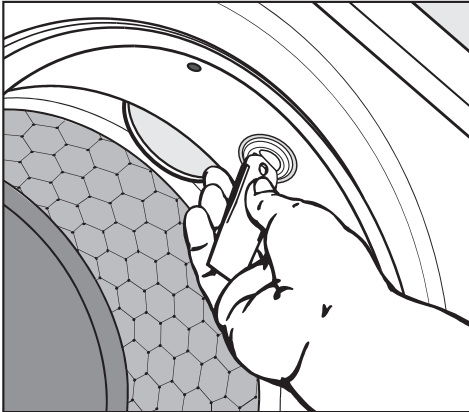
- Insert a screwdriver into the notch, beside the lever, pull it down. The door will now open.

# Frequently asked questions

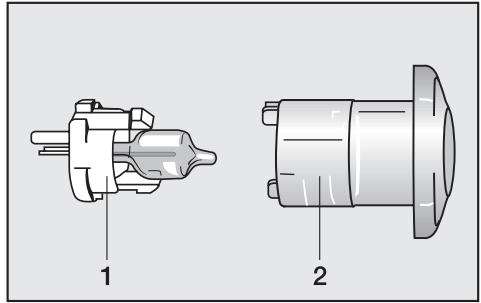
## Changing the light bulb

The machine will not operate if the light bulb is burnt out.

- Disconnect the power supply to the work area by unplugging the unit, tripping the circuit breaker or removing the fuse.
- Open the detergent dispenser drawer. Remove the tool from the rear side of the panel.
- Open the drum door.



- Insert the tool into the slit of the light bulb, turn counterclockwise until resistance is felt.
- Pull out the drum lighting.



- Press together the hooks of the plastic fitting, **2**, to separate it from the bulb, **1**.
- Replace the bad light bulb with a new one.

A replacement bulb can be obtained by contacting Miele.

The light bulb must not exceed the maximum wattage listed on the data plate.

- Insert the light bulb into the plastic fitting.
- Insert the drum lighting in the socket and turn clockwise.

To use the washer it is absolutely necessary to have the light bulb properly installed.

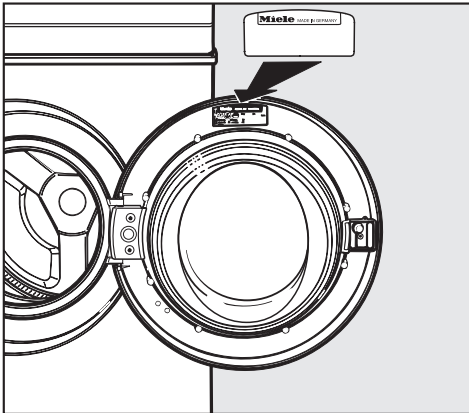
## Repairs

In the event of a fault which you cannot fix yourself, please contact the Miele Technical Service Department.

**(USA)** 1-800-999-1360  
techserv@mieleusa.com

**(CDN)** 1 800 565-6435  
service@miele.ca

When contacting the Technical Service Department, please quote the model and serial number of your appliance. Both can be found on the data plate visible above the front glass on the inside of the door.



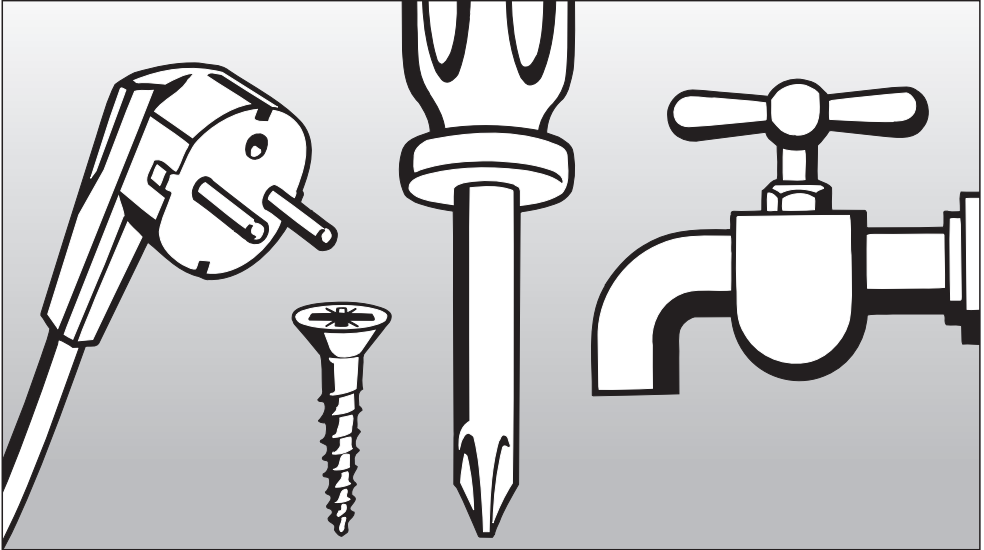
## PC Update

The indicator marked PC allows a technician to make use of new technology if new programs are developed or new fabrics are introduced.

## Optional accessories

Optional accessories are available at your Miele dealer or Miele.



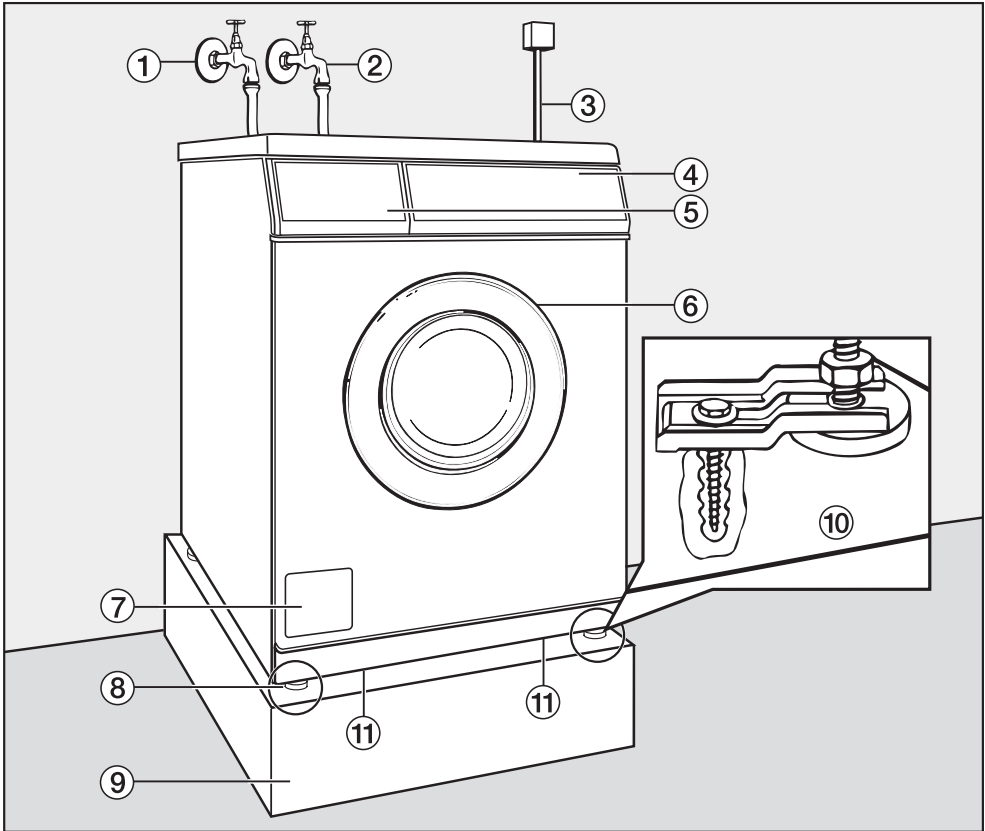


## Installation Instructions

To prevent accidents  
and machine damage  
read these instructions  
**before**  
installation or use.

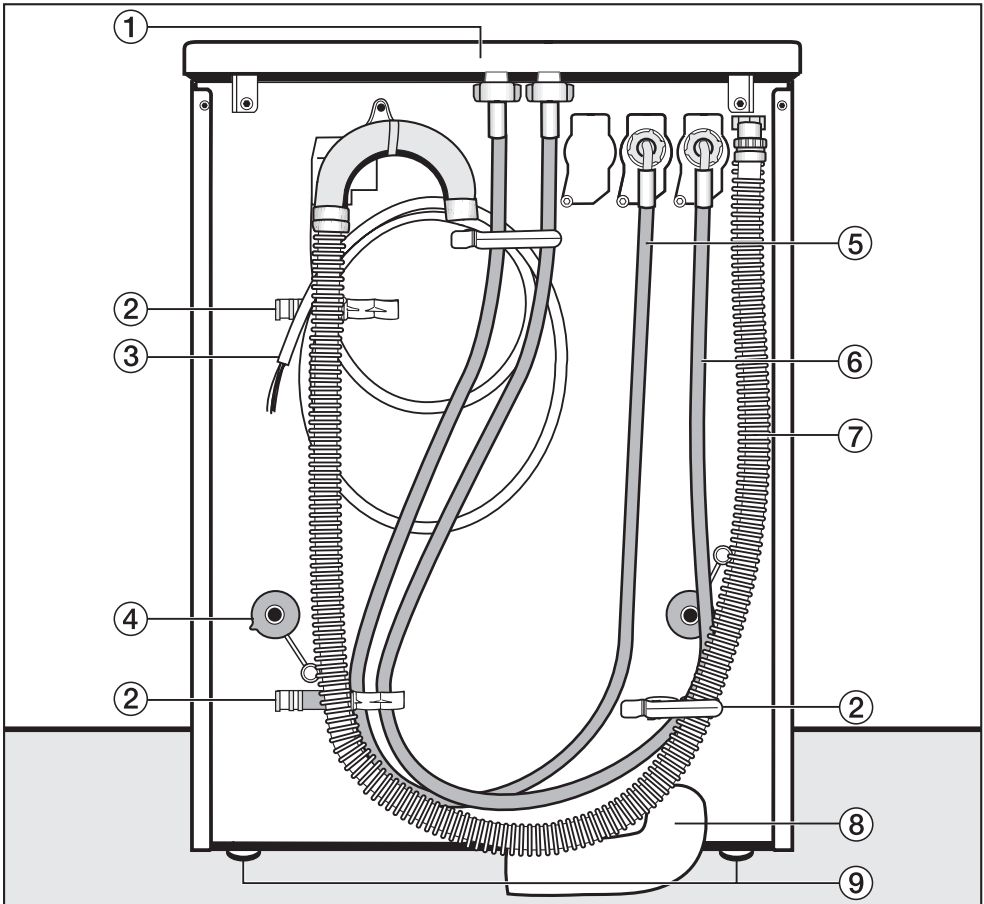
# Installation

## Front view



- ① Water intake hose hot
- ② Water intake hose cold
- ③ Electrical connection
- ④ Control panel
- ⑤ Detergent dispenser drawer
- ⑥ Drum door
- ⑦ Access panel to drain filter, drain pump and emergency door release
- ⑧ Height adjustable feet
- ⑨ Stand
- ⑩ Retaining clips (for concrete stand)
- ⑪ Recessed grip

## Rear view



① Lid with transport grips

② Mounting for:

– Water intake hose

– Drain hose

– Withdrawn shipping struts

③ Power cord

④ Shipping struts with rotary protectors

⑤ Water intake hose (cold)

⑥ Water intake hose (hot)

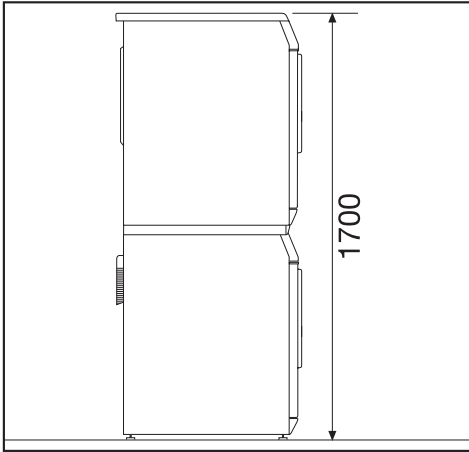
⑦ Drain hose for drain pump

⑧ Drain hose for drain valve

⑨ Height adjustable feet

# Installation

## Washer/ Dryer Stack



### Height:

Stacking kit with pull out shelf  
66 <sup>15</sup>/<sub>16</sub>" (1700 mm)

The Miele washing machine can be installed as part of a washer-dryer stack in combination with a Miele tumble dryer. An appropriate stacking kit\* is required.

Installation of the stacking kit must be performed by a Miele Service Technician.

### Reinstallation of the machine lid

When reinstalling the appliance lid, check the firm fit of the cover at the rear bracket for a safe transport of the dryer.

## Installation on a base

The machine can be installed on an open or closed steel base, or on a concrete base. Concrete is recommended.

- Secure the two front feet of the washer with the supplied retaining clips when installing on a concrete base.
- Read the supplied Installation manual.

## Coin mechanism

The dryer can be equipped with a coin mechanism\*.

The reprogramming necessary for the coin mechanism must be done by a Miele Service Technician.

Empty the coin mechanism regularly. Coins or tokens may get jammed.

Do not install devices to automatically turn the washer off, e.g. a clock timer.

\* Available from your Miele dealer or Miele.



## Installation site

The washer cannot be built-in.

⚠ Do not install the machine directly next to or over an open floor drain or drain channel. Moisture can penetrate the machine and damage electrical parts.

A concrete floor is the most suitable surface for the washer. Concrete floors are less prone to vibration during the spin cycle than wooden floors.

⚠ If the machine is installed on a masonry or concrete base it **must** be secured with retaining clips to prevent the washer from vibrating off the stand during the spin cycle.

- The machine must be leveled and securely positioned.
- To avoid vibration while spinning, the machine should **not be installed** on soft floor coverings.

In case the installation must be on a wooden joist floor:

- Install the unit on a  $27 \frac{9}{16}'' \times 23 \frac{5}{8}'' \times 1 \frac{3}{16}''$  (70 x 60 x 3 cm) plywood base. Ideally the base should be large enough to span several joists and should be anchored to the joists and not just the floor boards.

It is best to install the washer in the corner of a room, where the stability of the floor is at its greatest.

## Installation

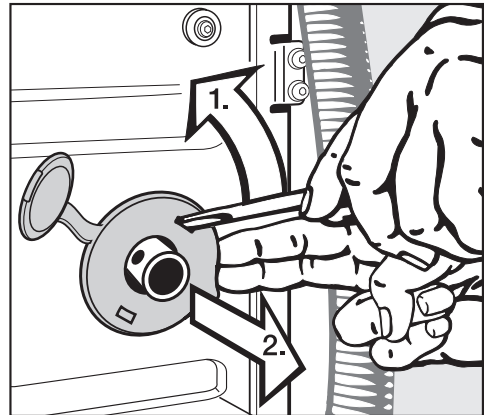
- Use the front washer feet and the rear excess end to transport the washer from its shipping pallet to the installation site.

**Do not lift the washer by the drum door.**

⚠ Ensure that the machine's feet and the floor are dry to prevent slippage during the spin cycle.

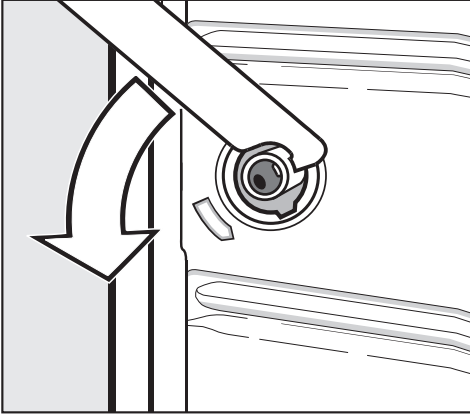
## Removing the shipping struts

- Remove the left and right rotary protectors.

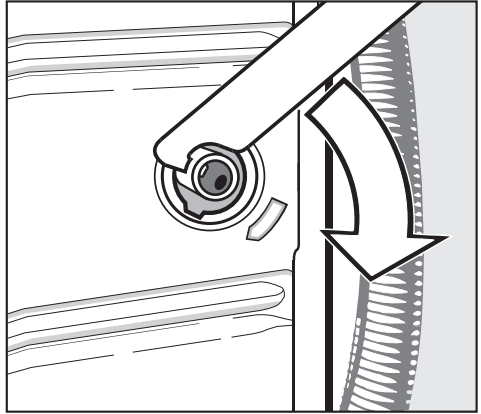


1. Unhook the rotary protector with a screw driver.
2. Remove the rotary protectors.

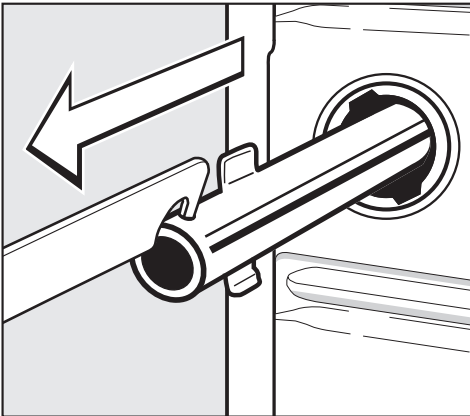
# Installation



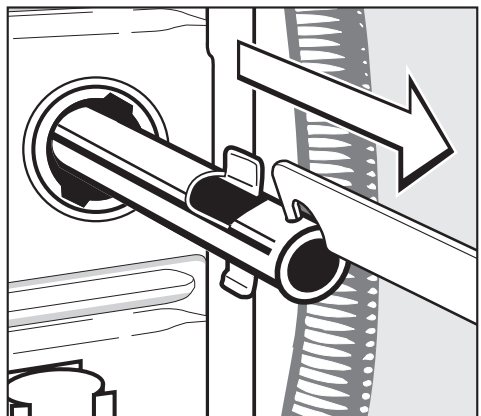
- Turn the left shipping strut counterclockwise 90° with the enclosed combination wrench.



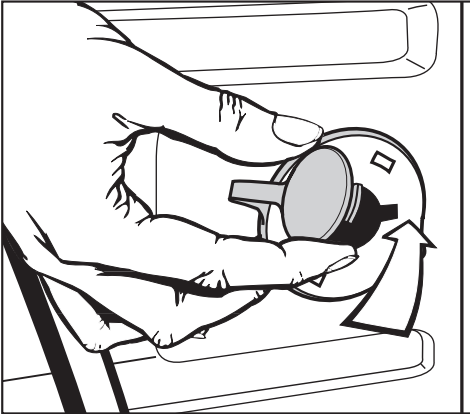
- Turn the right shipping strut counterclockwise 90° with the enclosed combination wrench.




- Pull the shipping strut out.



- Pull out the shipping strut out.

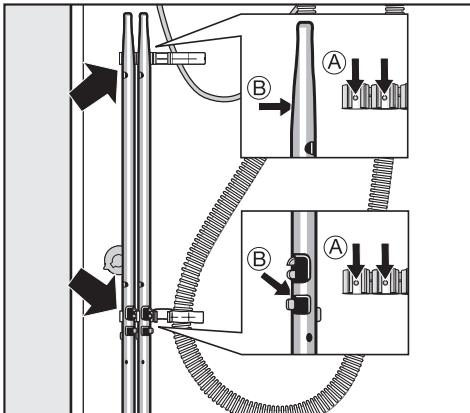


 Movement of the washer without the shipping struts in place should be kept to a minimum. The shipping struts should be stored on the back of the washer for future use. They must be reinstalled before moving the machine.

## Installing the shipping struts

- Reinstall the struts by reversing the installation procedure.

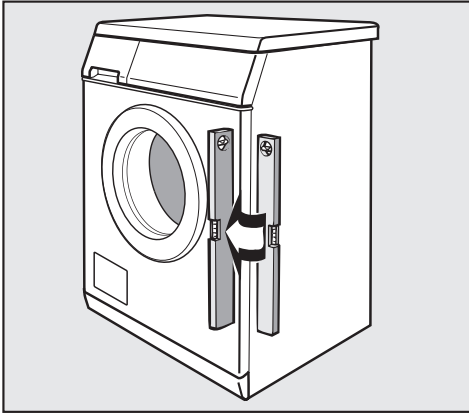
- Close the holes with the rotary protectors and their caps.



- Fasten the shipping struts at the rear side of the washer. Take care to insert the drill holes, **(B)**, into the clamps, **(A)**.

# Installation

## Leveling the washer

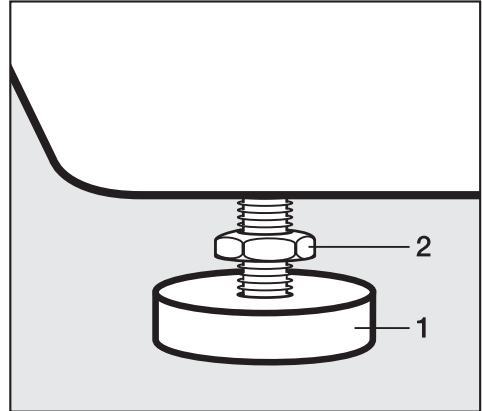


To ensure smooth operation the washer must be level.


Failure to level the machine can result in increased water and energy consumption as well as the washer "banging" during the spin cycle or "walking" across the floor during use.

## Adjust the four leveling feet

The washer is leveled by adjusting the four feet. The machine is boxed with the feet completely screwed in.



- Turn the locking nut, **2**, counter-clockwise with the enclosed combination wrench. Unscrew each of the four feet as much as necessary by turning both the foot, **1**, and the locking nut, **2**, to the left.
- Check that the machine stands level.
- Once level, hold the foot, **1**, steady with a wrench. Turn the locking nut, **2**, with the combination wrench towards the machine.

 All four locking nuts must be tight against the bottom of the machine. In addition, check to see that the feet were not inadvertently unscrewed while tightening the nuts. Running a machine that is not level or whose feet are not tight may cause damage to both the machine and its surrounding area.

## Water connection

### Cold water connection

A water faucet with  $\frac{3}{4}$ " threat must be provided on-site. If none is available the machine must be connected to a water line by a qualified plumber.

The water pressure must be between 14.5 -145 psi (1 -10 bar). If the water pressure is greater than 145 psi (10 bar), a pressure reducer must be installed. If the water pressure is below 15 psi (1 bar), there will not be enough water available for a complete fill.

The cold water hose (blue mark) is **not** suitable for a hot water connection.

- Connect the cold water intake hose (blue mark) to the cold water valve.
- Turn on the valve(s) and check for leaks.

The water intake hoses are equipped with screen filters. Do not remove these filters except for cleaning.

## Maintenance

Replace the water hoses only with genuine Miele hoses.

### Extension hoses

Extension hoses (8' 2" or 13' [2.5 m or 4 m]) may be obtained from Miele.

# Installation

---

## Hot water connection

Connecting the machine to a hot water supply will lead to low electrical consumption during hot water operation. The hot water temperature at the water faucet must not exceed 158°F (70°C).

The water in single water lines from the hot water source cools faster when not in constant use. To heat the wash water more electricity must be used. The same conditions for the hot water as for the cold water connection will then apply.

- Connect the hot water intake hose (red mark) to the water faucet.

The connection of the machine to a hot water line only, is not possible for functional reasons.

If the washer is not to be installed for hot water connection, the settings "Main wash", "Pre-wash" and "Rinse" must be adjusted respectively. The hot water intake hose must be removed.

- Select in "Settings - Supervisor level" the respective options "cold".

The program times may be extended.

- Unscrew the hot water intake hose (red mark).
- Screw on the supplied stopper.

## Drainage

There are two drainage options for this machine:

### Drain valve

The machine is drained with a motorized drain valve. A connection can be made to an on-site floor drain (gully with an air gap) on an angle.

### Drain pump

The wash water is drained using a pump with a 3 ft (1 m) delivery height. Make sure there are no kinks in the drain hose. The elbow on the end of the drain hose can be turned or removed if necessary.

### Possible connections:

- 1. Directly into a sink:** Hook the hose over the edge of the sink and secure it firmly (e.g. by tying the hose to the water faucet).
- 2. To a stand pipe:** Place the drain hose into a 1 $\frac{1}{2}$ " (4 cm) stand pipe and secure it firmly.
- 3. To a floor drain:** The machine is equipped with an air gap/ anti-siphoning system so that no minimum drain height is required.


If necessary the drain hose can be extended up to 16' 5" (5 m). The hose extension can be purchased from your Miele dealer or Miele.

The drain pump must be replaced for drain heights over 3 ft (1 m). The maximum allowable drain height is 5 ft 11 in (1.8 m). A stronger pump for these heights can be purchased from your dealer or Miele.

# Installation

---

## Electrical connection


 This installation should be performed by an experienced and qualified technician, in accordance with local codes and regulations.


The washer comes with a power cord without a plug.

The machine is supplied as standard for connection to a 208 V, 60 Hz, 20 A, 2-phase electrical supply\*.

For extra safety it is advisable to install a residual current device (RCD) with a trip current of 30 mA.

The machine must only be connected to the voltage and frequency shown on the data plate.

 \*To convert the machine to another electrical connection, please read the converting manual on the wiring diagram inside the washer. The conversion must be performed by a Miele Service Technician. Additionally the "Heating level" setting must be adjusted.

 Do not install devices to automatically turn the washer off, i.e. a clock timer.

## For Canada only:

If the machine is hard wired, two 20 A circuit breakers must be provided on-site. Switches with a contact gap of more than 3 mm are valid as separators. All components must be CSA or UL approved.



## Technical Data

Height	33 7/16" (85 cm)
Width	23 7/16" (59.5 cm)
Depth	28 3/8" (72 cm)
Depth with the door open	44 1/8" (112 cm)
Weight	240 lbs (109 kg)
Maximum floor load	2778 Newton (approx. 278 kg)
Capacity	14.3 (6.5 kg) dry laundry
Fuse rating	see data plate
Rated load	see data plate
Fuse rating	see data plate
Noise level during spinning (Noise emission 3. GSGV)	< 70 dB(A)
Minimum water flow pressure	14.5 psi (1 bar)
Maximum water pressure	145 psi (10 bar)
Length of intake hose	5'3" (1.6 m)
Length of power cord	5'3" (1.6 m)
Drain height maximum (Drain pump)	3' 3 3/8" (1 m)
Light bulb for drum light	Type G4 (5 Watts/12 Volt)

# Help to protect the environment

---

## **Disposal of the packing materials**

The cardboard box and packing materials protect the appliance during shipping.

To prevent suffocation of children ensure that any plastic wrapping, bags, etc. are disposed of safely and kept out of the reach of children.

Please recycle.

## **Disposal of an old appliance**

Old appliances may contain materials that can be recycled. Please contact your local recycling authority about the possibility of recycling these materials.

Ensure that the appliance presents no danger to children while being stored for disposal. Before discarding an old appliance, unplug it from the outlet, cut off its power cord and remove any doors to prevent hazards.

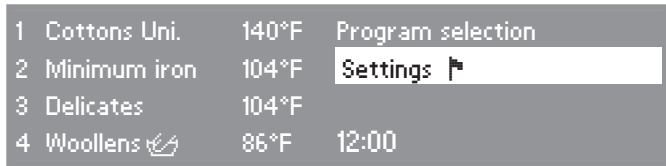
## Menu Settings to adjust standard settings

The washer controls can be adjusted to changing demands through the settings menu.

# Settings 🚩

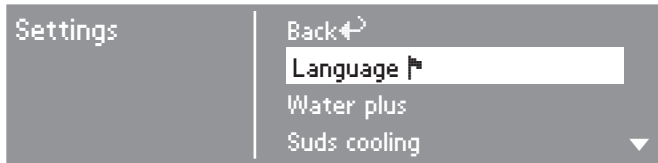
---

## Opening the menu Settings



- Select the "Settings" 🚩 in the main menu and confirm by pressing the jog shuttle.

## Selecting Settings



- Select the settings to be changed and confirm.


If no selection was made in the sub-menu, the display will switch back to the "Settings" menu after 20 seconds.

## Leaving the Settings menu

- Press "Back" and confirm. The display shows the main menu.

## Language

The display contents can be shown in different languages.

The displayed language can be set in the sub-menu "Language" .

- Select the desired language and confirm with "OK".

The flag behind the word "Language" is a guide to find the settings menu in case a foreign language is shown.

If the language setting was changed, it is only valid for the current wash program. Once the program ends, the display will show the language which is set under "Settings - Supervisor level".

## Water plus

In the setting "Water plus" you can select an extra setting from below.

### Water plus

The water level increases (more water) in the wash and rinse cycles of the program (delivery status).

### Additional rinse

An extra rinse cycle is added in the programs "Cottons Hygiene", "Cottons Uni." and "Minimum iron".

### Water+ and Add. rinse

The water level is increased in the wash and rinse cycles and an extra rinse cycle is added to the programs "Cottons Hygiene", "Cottons Uni." and "Minimum iron".

## Suds cooling

Cold water is added at the end of the main wash to cool the wash water.

Suds cooling is carried out when a wash temperature of 158°F (70°C) or more is selected.

Suds cooling should be activated when the drain hose is hung into a sink, to prevent scalding.

Suds cooling is factory set turned on.

# Settings

---

## Time of day

The selection allows the clock to be shown as 24 hours, 12 hours or not at all. The time of day is also set here.

If the clock is not selected the delay start can only be shown only as a 24 hour clock timer. The display will show the timer counting down until the start of the program but not the current time of day.

### Selecting the clock

- Select the clock display and confirm.

The display changes to the time of day setting.

### Set the time of day

- Select the current hour with the jog shuttle and confirm. Repeat with setting the minutes and confirm. Press again to save the time of day.

## Contrast

The contrast of the display can be set at ten different levels.

The machine is factory set to level 4.

The contrast changes immediately when a different level is selected.

- Confirm the setting with the jog shuttle.

## Brightness

The brightness of the display can be set at ten different levels.

The machine is factory set to level 5.

The brightness changes immediately when a different level is selected.

- Confirm the setting with the jog shuttle.

## Standby

The display goes out after 10 minutes and the "Start" button flashes slowly to save energy.

### On

The display will go into Standby mode:

- if no program was selected after the machine was turned on.
- after a program has started.
- at the end of a program.

### Not in current prog. (Factory default)

The Standby function will be turned on if no program was selected after the machine was turned on.

By turning the jog shuttle or pressing any button the display is turned on again.

## Memory

The Memory function remembers the addition of an extra feature to a program, a change in spin speed or the temperature the next time that program is selected.

Once the wash program is selected again the washer shows the saved options.

The memory function is not active when favorites are selected with the direct select buttons.

The Memory function is factory set "off".

## Temperature unit

The temperature can be shown in "°C/Celsius" (factory default) or "°F/Fahrenheit".

The delivery status is "°C".

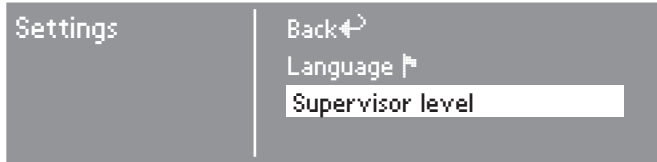
# Settings - Supervisor level

---

**The menu Settings - Supervisor level must be activated by the Technical Service.**

The menu "Settings" (except Languages 🇫🇷) is locked with a code to prevent unwanted access.

## Selecting Settings



- Select "Supervisor level" and confirm.



- Select "Access via code" and confirm.

## Entering the code

- Enter the code "0 0 0" (factory default).  
If a wrong code is entered three times, the code entry will be locked for 1 hour!



- Turn the jog shuttle until the first digit shows. Confirm the digit. Enter the second and third digit.



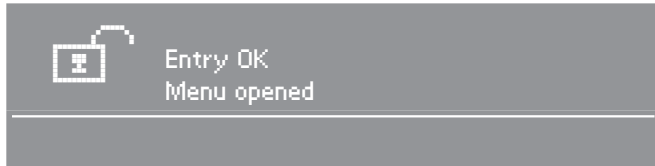
# Settings - Supervisor level

---

## Confirming the code



- Confirm the entered code.



The user is now in the "Supervisor level". The previously described and all the following settings can be changed.


Change the code to prevent unauthorized access to the settings.

# Settings - Supervisor level

---

## Language

The display contents can be shown in different languages.

The fixed default language can be set in the sub-menu "Languages ".

- Select the desired language and confirm with "OK".

## Sort languages

The language order can be set, when the option "Language access - international" is selected.

## Supervisor level

The access code for the supervisor level can be changed.

- Enter the old code.
- Enter the new code.

Once the new code is confirmed, the display will show the beginning of the "Settings" menu.

## Language menu

This option allows you to display an additional welcome screen which requests a language selection. The screen can be shown before the main menu or after the end of a wash program.

Two options can be selected:

- International: Welcome screen shows, an additional language has to be selected.
- National: no additional welcome screen (factory default).

## Intensive Water plus

You can select this option if the Extras "Intensive" and "Water plus" are shown in the menu "Extras".

The option is factory set "off".

## Save

The option "Save" can be shown in the main menu. The function "Save" is needed to save for example the favorite wash programs on the direct select buttons.

The machine comes factory set with this option turned off.

# Settings - Supervisor level

---

## Auto load control

The washer has an Auto load control. The water levels and the program running times are adjusted to the load size. If the load size automatic is turned off the program will always run as if for a full load.

The machine comes factory set with this option turned on.

## Pre-wash water

The water type for the pre-wash can be selected (except for the program "Curtains"). The hot water intake will be only accessible at a wash temperature of 86°F (30°C) or higher.

The machine comes factory set with the water type "hot".

## Main wash water

The water type for the main wash can be selected (except for the programs "Woollens", "Silk" and "Curtains"). The hot water intake will be only accessible at a wash temperature of 86°F/30°C or higher.

The machine comes factory set with the water type "hot".

If the washer is not connected to hot water, the program running times will be extended and vary from the displayed remaining times.

If "Industrial water" is used, the washer must be refitted accordingly.

## Rinse water

The water type for the rinse in the programs "Cottons Hygiene", "Cottons Uni.", "Minimum iron", "Table linen", "Kitchen linen", "Towelling" and "Sluice" can be selected. The hot water intake will be only accessible at a wash temperature of 50°C or higher.

The machine comes factory set with the water type "hot".

If "Industrial water" is used, the washer must be refitted accordingly.

# Settings - Supervisor level

---

## Water level Cottons

The program "Cottons Hygiene" and "Cottons Uni." allows you to increase the water level for the main wash.

The machine comes factory set with the option Block Parameter selected. (The water level will be controlled according to the factory set program data.)

## Water level Min. iron

The program "Minimum iron" allows to increase the water level for the main wash.

The machine comes factory set with the option Block Parameter selected. (The water level will be controlled according to the factory set program data.)

## Pre-wash temp. Cot.

The Pre-wash temperature for the programs "Cottons Hygiene" and "Cottons Uni." can be selected.

The machine comes factory set with the option Block Parameter selected. (The water level will be controlled according to the factory set program data.)

## Pre-wash duration

The wash time for the pre-wash can be extended.

The machine comes factory set with the option Block Parameter selected. (The water level will be controlled according to the factory set program data.)

## Wash time Cottons

The programs "Cottons Hygiene" and "Cottons Uni." allow to increase the water level for the main wash.

The machine comes factory set with the option Block Parameter selected. (The water level will be controlled according to the factory set program data.)

## Min. iron

The program "Minimum iron" allows to extend the wash time for the main wash.

The machine comes factory set with the option Block Parameter selected. (The water level will be controlled according to the factory set program data.)

# Settings - Supervisor level

## No. of programs

Additional programs can be added to the program selection.

- 0 Additional programs (factory default)
- 4 Additional programs ("Table linen", "Pillows", "Curtains" and "Kitchen linen")
- 2 Additional programs ("Outerwear" and "Waterproofing")
- 6 Additional programs (all of the above).

## Hygiene

If the last used program had a temperature of 131°F (55°C) or less, the display shows the request to start the "Hygiene" program.

The machine comes factory set with this option turned off.

## Sluice

When the option is selected the sluice programs are offered additionally.

The machine comes factory set with this option turned off.

## Disinfection

Special disinfection programs can be added.

- 0 Additional programs (factory default)
- 4 additional programs (Thermal disinfection 15 min/185°F (85°C), Chemo thermal disinfection 10 min/158°F (70°C), Chemothermal disinfection 20 min/140°F (60°C) and Chemothermal disinfection 30 min/104°F (40°C)).

## Pre-wash

In the programs "Cottons Hygiene", "Cottons Uni." and "Minimum iron" you can select to permanently add a pre-wash to the cycle or to select it in the menu "Extras".

The machine comes factory set with the option "Menu selection" activated.

## 2. Pre-wash Kitchen linen

The program "Kitchen linen" allows an additional pre-wash.

Add the detergent for the additional pre-wash directly in the drum.

The machine comes factory set with this option turned off.

# Settings - Supervisor level

---

## Optimize energy

The energy use for the programs "Cottons Hygiene", "Cottons Uni." and "Minimum iron" is at its optimum when this option is turned on.

The machine comes factory set with this option "on".

## No. rinses Cottons

The programs "Cottons Hygiene" and "Cottons Uni." allow you to change the number of rinse cycles.

- 2 rinses (factory default)
- 3 rinses
- 4 rinses
- 5 rinses

## No. rinses min. iron

The program "Minimum iron" allows you to change the number of rinses.

- 2 rinses (factory default)
- 3 rinses
- 4 rinses

## Pre-rinse Cottons

The programs "Cottons Hygiene" and "Cottons Uni." allows you to add a pre-rinse of the laundry.

The machine comes factory set with this option "off".

## Pre-rinse Min. iron

The program "Minimum iron" allows a pre-rinse of the laundry.

The machine comes factory set with this option "off".

## Spin free of charge

When operated by a coin mechanism, the program "Spin" can be activated free of charge.

The machine comes factory set with this option "off".

### No detergent

If an external dispensing system is fitted to the machine it will not be accessed if "No soap" is selected. You have the option to show the Extra "No Soap" in the menu "Extras".

The machine comes factory set with this option "off".

### External dispenser

The washer is set up for connection to an external dispensing system. To use the external dispensing system the setting must be adjusted/set accordingly.

The machine comes factory set with this option "off".

### Leaving the Settings menu

- Press "back" and confirm. The display shows the main menu.

When contacting the Technical Service,  
please quote the model and serial number  
of your appliance.

---



**Miele, Inc.** (USA)

**National Headquarters**

9 Independence Way  
Princeton, NJ 08540  
Phone: 800-843-7231  
609-419-9898  
Fax: 609-419-4298  
[www.miele.com](http://www.miele.com)

**Technical Service & Support  
Nationwide**

Phone: 800-999-1360  
Fax: 888-586-8056

**Miele Limited** (CDN)

**National Headquarters**

55G East Beaver Creek Road  
Richmond Hill, ON L4B 1E5  
Phone: 800-643-5381  
905-707-1171  
Fax: 905-707-0177  
[www.miele.ca](http://www.miele.ca)  
[info@miele.ca](mailto:info@miele.ca) (general enquiries)  
[professional@miele.ca](mailto:professional@miele.ca) (commercial enquiries)

**Mielecare National Service**

Phone: 800-565-6435  
905-850-7456  
Fax: 905-850-6651  
[service@miele.ca](mailto:service@miele.ca) (Tech. Service)